

The Finest Lock

EZSET®



PL1Q

CONTEMPORARY
ELECTRONIC
DEADBOLT

50 | User Codes

Faster Bolt Retraction 



New Revolution of keypad electronic deadbolt brings superior door access security and convenience.

Features

- Sleek and simple design with affordable price
- No default master code and user code
- With automatic door handing identification
- One touch locking with a motorized mechanism
- Auto-relocking function available
- Vacation mode available

User Codes

- Up to 50 user access codes for family and guests
- One-time-use user code available

PRODUCT SPECIFICATIONS

Power Supply	DC6V, four AA (1.5V) alkaline batteries.
Lock Body Trim Material	Stainless steel stamping.
Product Size	Exterior: 106 mm(L) x 68 mm(W) x 30 mm(H) Interior: 132 mm(L) x 71 mm(W) x 39 mm(H)
Access Methods	PIN code / Key
Token	Master PIN code: 1 User PIN code: up to 5 One-time PIN code: up to 5
PIN Code Length	4-10 digits in length.
Touchpad Security Protection	Automatic lockdown if wrong code enters consecutive over 5 times.
Auto-relocking Function	10 – 99 seconds
Vacation Mode	Keypad can be disabled entirely for traditional key use only.
Backset	Adjustable 60mm or 70mm.
Door Thickness Range	35~45mm.
Door Prep.	Ø 54mm for cross bore; Ø 25.4mm for edge bore.
Cylinder	5 pins, Kwikset keyway standard (Other keyways are available upon request).
Temperature (Battery excluded)	Exterior: -20 °C ~ 60 °C Interior: 0 °C ~ 60 °C
Humidity (Battery excluded)	30%~80%

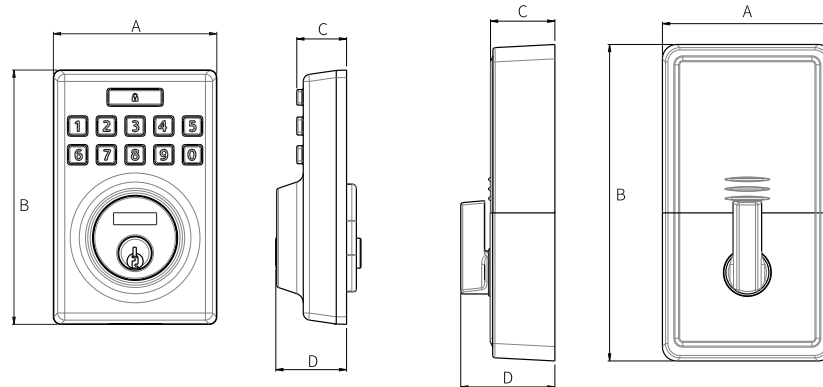
FEATURES

- Meet ANSI/BHMA Grade 3
- Deadbolt detection: Touchpad deadbolt with auto latchbolt locking detection prevents any incomplete door locking.
- One touch locking with a motorized mechanism.

EASY INSTALLATION

- Replaces existing door lock with just a screwdriver.
- No hard wiring needed.
- Operates on 4 AA batteries that will last for approximately 1 year.

DIMENSIONS



	A	B	C	D
Exterior	68mm	106mm	21mm	30mm
Interior	71mm	132mm	27mm	39mm

FINISHES



Polished Brass **L03**



Antique Brass **5**



Venetian Broze **11P**



Satin Nickel **15**



Polished Chrome **26**



Satin Chrome **26D**



Matte Black **514**

TONG LUNG METAL INDUSTRY CO., LTD

service@ezset.com.tw

Head Office & Factory

No.82, Zhonghua Rd., Minxiang Industrial Park,
Chiayi County 62157, Taiwan
T / + 886-5-2918-168

Taipei Office

14F., No.44, Sec.2, Zhongshan N. Rd., Taipei City 10448, Taiwan
T / + 886-2-2568-2568

