

The Finest Lock

EZSET®



PL3Q

TOUCHPAD
ELECTRONIC
DEADBOLT



Benefits of EZSET PL3Q with membrane touchpad

- **Fingerprint Resistant**
The PL3Q features a membrane switch to prevent code detection from fingerprints on the touchpad.
- **Extreme Temperature Safety**
Membrane switches can be able to withstand harsh temperatures.
- **Glove-Friendly Touchpad**
Membrane switches are the best user interface display option for those working in environments that require gloves because the touchpad can be embossed.
- **Easy to Clean & Maintain**
Membrane switches are resistant to water and other liquids and easy to clean.

PRODUCT SPECIFICATIONS

Power Supply	DC6V, four AA (1.5V) alkaline batteries.
Lock Body Trim Material	Stainless steel stamping.
Product Size	Exterior: 106 mm(L) x 68 mm(W) x 29 mm(H) Interior: 132 mm(L) x 71 mm(W) x 39 mm(H)
Access Methods	PIN code / Key
Token	Master PIN code: 1 User PIN code: up to 50 One-time PIN code: up to 5
PIN Code Length	4-10 digits in length.
Touchpad Security Protection	Automatic lockdown if wrong code enters consecutive over 5 times.
Auto-relocking Function	10 – 99 seconds
Vacation Mode	Keypad can be disabled entirely for traditional key use only.
Backset	Adjustable 60mm or 70mm.
Door Thickness Range	35~45mm.
Door Prep.	Ø 54mm for cross bore; Ø 25.4mm for edge bore.
Cylinder	5 pins, Kwikset keyway standard (Other keyways are available upon request).
Temperature (Battery excluded)	Exterior: -20 °C ~ 60 °C Interior: 0 °C ~ 60 °C
Humidity (Battery excluded)	30%~80%

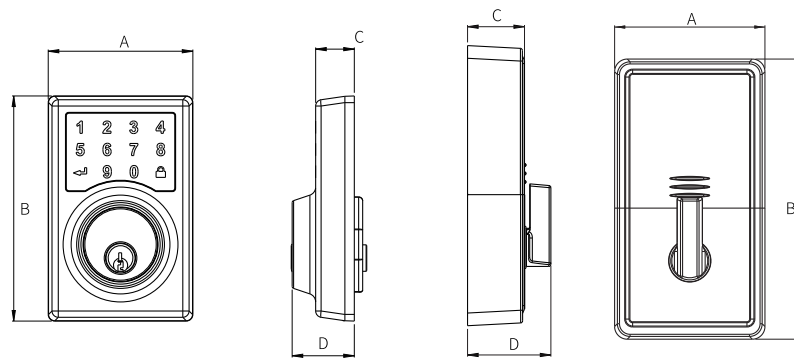
FEATURES

- ANSI/BHMA Grade 3 Certification
- Automatic identification door opening direction.
- No default master code and user code to prevent bad intention when user forgot to delete default codes.

EASY INSTALLATION

- Replaces existing door hardware with just a screwdriver.
- No hard wiring needed.
- Operates on 4 AA batteries that will last for approximately 1 year.

DIMENSIONS



	A	B	C	D
Exterior	68mm	106mm	18mm	29mm
Interior	71mm	132mm	27mm	39mm

FINISHES



Polished Brass **L03**



Antique Brass **5**



Venetian Bronze **11P**



Satin Nickel **15**



Polished Chrome **26**



Satin Chrome **26D**



Matte Black **514**

TONG LUNG METAL INDUSTRY CO., LTD

service@ezset.com.tw

Head Office & Factory

No.82, Zhonghua Rd., Minxiang Industrial Park,
Chiayi County 62157, Taiwan
T / + 886-5-2918-168

Taipei Office

14F., No.44, Sec.2, Zhongshan N. Rd., Taipei City 10448, Taiwan
T / + 886-2-2568-2568

