

**Kwikset**

# PF9 Smart Door Lock



Keep your home  
**Smart & Secured**

- Instant Wi-Fi Notifications & Remote Unlock (Wi-Fi version)
- Ultra-Fast 0.5s Fingerprint Recognition
- Enhanced Night Security with Night latch function
- Anti-Peephole Protection



APP Unlock  
(WiFi Version)



Fingerprint



PIN code



key tag



Mechanical key



Multiple Alarm



Dual Authentication



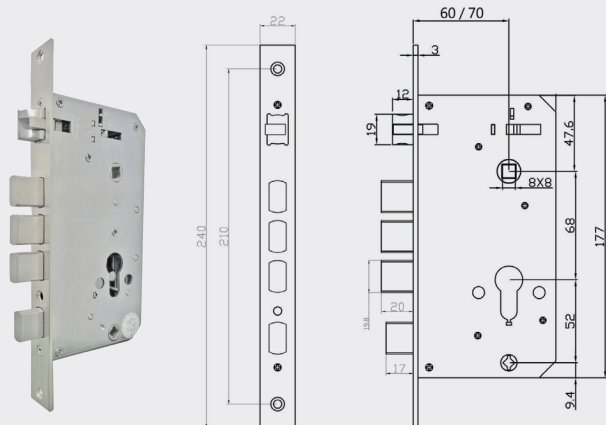
USB-C Charging

**#1 SELLING U.S. LOCK BRAND**

## Feature

- Share access E-keys and manage accesses and set lock functions remotely. (WiFi version).
- Multiple intelligent Monitoring Protection Alarms, and mobile alert notifications. (WiFi version)
- Intuitive & Quick locking - Lift lever upward and lock the door swiftly at one go.
- Simple unlock - Push down the interior lever to unlock an open all at once.
- Error Detection Lockout Protection: Automatically locks the door for 90 seconds after five incorrect entries of fingerprint/password/key tag.
- Anti-pry, High Voltage shock resistance, and effective shielding against strong magnetic pulse Interference.

## Latchcase



<b>Feature</b>	6068/7068 Mortise Latchcase
<b>Backset</b>	60mm/70mm
<b>Mounting Bore Distance</b>	68mm center to center
<b>Faceplate (WxHxT)</b>	22x240x3.0mm, SUS304
<b>Function</b>	Intuitive & quick locking

## Trim Size

	Interior	Exterior	Interior	Exterior
	A	B	C	D
<b>Interior</b>	157.5mm	343.5mm	71.9mm	25.9mm
<b>Exterior</b>	157.5mm	343.5mm	71.9mm	25.9mm

## Specifications

**Material** Aluminum Alloy

<b>Access Method</b>	<b>Normal Mode</b>	APP, Fingerprint, RFID card, PIN code, Mechanical key		
	<b>Dual Authentication</b>	Fingerprint + Code / Fingerprint + Key tag / Fingerprint + Fingerprint / Key tag + Code / Key tag + Key tag / Code + Code		
<b>Power Supply</b>	DC6V, 4 x AA(1.5V, LR06) Alkaline batteries	<b>Door Thickness</b>	35mm - 85mm	<b>Door Handling</b> Reversible
<b>Token</b>	6-12 digits Master : 9 sets(Including Fingerprint/RFID card/ PIN code) Users : 291 sets(Including Fingerprint/RFID card/ PIN code) (Fingerprint up to 100)	<b>Fingerprint Recognition</b>	Capacitive sensor (FPC module)	
<b>Card/Key Tag</b>	Mifare 13,56MHz	<b>Fictitious Code Length</b>	Includes a total of 20 digits with the correct password	
<b>Language Setting</b>	Chinese / English	<b>Alarm Function</b>	Low battery alarm, Unauthorized access prompt, Attack alarm	
<b>Doorbell</b>	Build-in	<b>Finish</b>	Black Nickel (BN), Coffee Brown (CB), Matte Black (49)	
		<b>Cylinder</b>	High security keyway	<b>Ingress Protection Rating</b> IP 54

